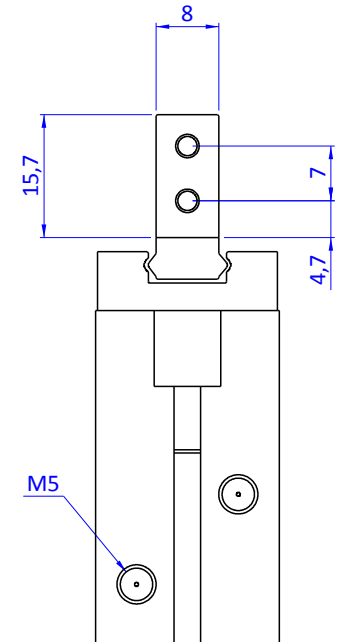
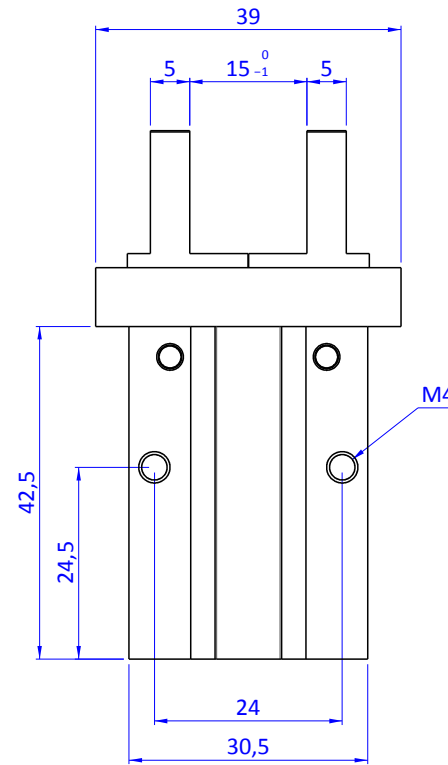
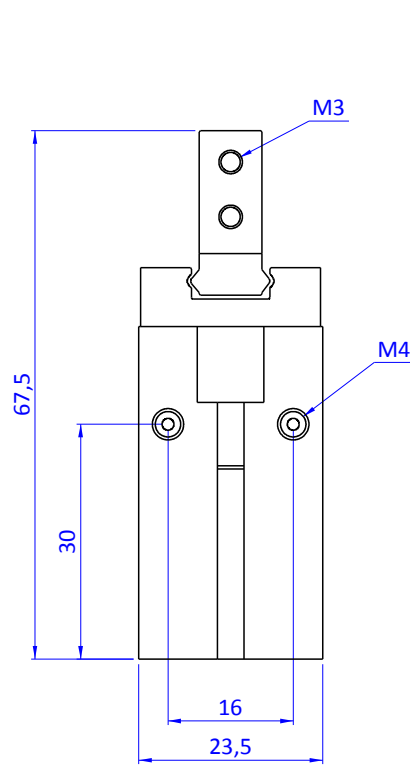
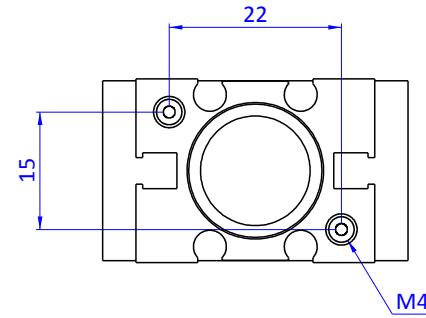
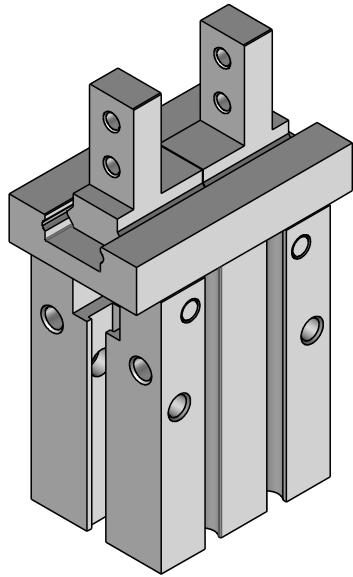


THE PROPERTY OF THE DRAWING IS ESTABLISHED BY LAW. IT IS FORBIDDEN TO PRODUCE OR SHOW IT TO THIRD PARTY, WITHOUT A WRITTEN AGREEMENT.

SENSOR	Type
KT38PM8	PNP
KT38P3M	PNP
KT58PM8	PNP
KT58P3M	PNP
KT38NM8	NPN
KT38N3M	NPN
KT58NM8	NPN
KT58N3M	NPN




"CA.09.05.010" is realized by other manufacturers.

FPS-Automation is just seller.

Format A3

UNI 936-76

 <b>FPS</b> FPSERVICES AUTOMATION		DESIGNED FROM <b>FPS Automation</b>		REVIEW <b>A</b>	
		DATE <b>27/06/2019</b>	WEIGHT <b>0.124Kg</b>		
GENERAL TOLERANCE UNI - ISO 2768 CLASSE F	DESCRIPTION <b>CA.09.05.010.NC</b>		CODE <b>CA.09.05.010.NC</b>		